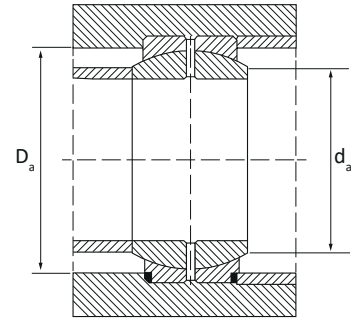
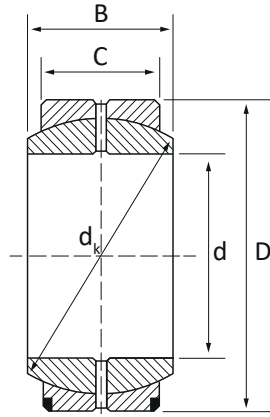


CÓD	Dimensões em mm					Graus $\approx \alpha$	Dim. montagem		Dist. das bordas		Carga		Peso Kg
	d	d <sub>k</sub>	B	C	D		d <sub>e</sub>	D <sub>e</sub>	r <sub>1smin</sub>	r <sub>2smin</sub>	C	C <sub>0</sub>	
	4	-	5	3	12	16	06.00	-	-	-	2	10	0.0033
	5	10	6	4	14	13	07.00	-	-	-		17	0.0038
	6	10	6	4	14	13	08.00	09.60	0.30	0.30	3	17	0.0040
	8	13	8	5	16	15	10.20	12.50	0.30	0.30	6	28	0.0070
	10	16	9	6	19	12	13.20	15.50	0.30	0.30	8	41	0.0110
	12	18	10	7	22	11	14.90	17.50	0.30	0.30	11	54	0.0160
GE 15 ES-2RS	15	22	12	9	26	8	18.40	21.00	0.30	0.30	17	85	0.0250
	16	25	14	10	30	10	20.70	24.00	0.30	0.30	21	106	0.0380
GE 16 ES-2RS	16	25	14	10	30	10	20.70	24.00	0.30	0.30	21	106	0.0380
GE 17 ES-2RS	17	25	14	10	30	10	20.70	24.00	0.30	0.30	21	106	0.0410
GE 20 ES-2RS	20	29	16	12	35	9	24.10	27.50	0.60	0.30	30	146	0.0610
GE 25 ES-2RS	25	36	20	16	42	7	29.30	33.00	0.60	0.60	48	240	0.1100
GE 30 ES-2RS	30	41	22	18	47	6	34.20	38.00	0.60	0.60	62	310	0.1400
GE 35 ES-2RS	35	47	25	20	55	6	39.70	44.50	0.60	1.00	80	400	0.2200
GE 40 ES-2RS	40	53	28	22	62	7	45.00	51.00	0.60	1.00	100	500	0.3000
GE 45 ES-2RS	45	60	32	25	68	7	50.70	57.00	0.60	1.00	127	640	0.4000
GE 50 ES-2RS	50	66	35	28	75	6	55.90	63.00	0.60	1.00	156	780	0.5400
GE 60 ES-2RS	60	80	44	36	90	6	66.80	75.00	1.00	1.00	245	1220	1.0000
GE 70 ES-2RS	70	92	49	40	105	6	77.80	87.00	1.00	1.00	315	1560	1.5000
GE 80 ES-2RS	80	105	55	45	120	6	89.40	99.00	1.00	1.00	400	2000	2.2000
	90	115	60	50	130	5	98.10	108.0	1.00	1.00	490	2450	2.7000
GE 90 ES-2RS	90	115	60	50	130	5	98.10	108.0	1.00	1.00	490	2450	2.7000
	100	130	70	55	150	7	109.5	123.0	1.00	1.00	610	3050	4.3000
GE 100 ES-2RS	100	130	70	55	150	7	109.5	123.0	1.00	1.00	610	3050	4.3000
	110	140	70	55	160	6	121.2	134.0	1.00	1.00	655	3250	4.7000
GE 110 ES-2RS/HM	110	140	70	55	160	6	121.2	134.0	1.00	1.00	655	3250	4.7000
	120	160	85	70	180	6	135.5	150.0	1.00	1.00	950	4750	8.0000
GE 120 ES-2RS	120	160	85	70	180	6	135.5	150.0	1.00	1.00	950	4750	8.0000
GE 140 ES-2RS	140	180	90	70	210	7	155.8	173.0	1.00	1.00	1080	5400	11.0000
	140	180	90	70	210	7	155.8	173.0	1.00	1.00	1080	5400	11.0000

C - Carga dinâmica  
C<sub>0</sub> - Carga estática

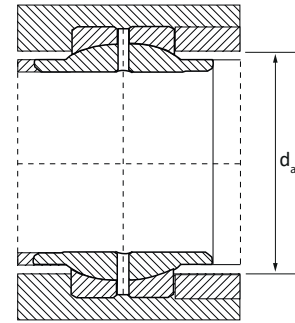
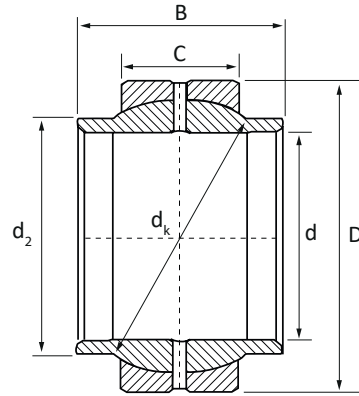
CÓD	Dimensões em mm					Graus	Dim. montagem		Dist. das bordas		Carga		Peso
	d	d <sub>k</sub>	B	C	D	≈α	d <sub>e</sub>	D <sub>e</sub>	r <sub>1smin</sub>	r <sub>2smin</sub>	C	C <sub>0</sub>	Kg
	160	200	105	80	230	8	170.2	191.0	1.00	1.00	1370	6800	13.500
	160	200	105	80	230	8	170.2	191.0	1.00	1.00	1370	6800	13.500
	180	225	105	80	260	6	198.9	219.0	1.10	1.10	1530	7650	18.500
	180	225	105	80	260	6	198.9	219.0	1.10	1.10	1530	7650	18.500
	200	250	130	100	290	7	213.5	239.0	1.10	1.10	2120	10600	28.000
	200	250	130	100	290	7	213.5	239.0	1.10	1.10	2120	10600	28.000
	220	275	135	100	320	8	239.5	267.0	1.10	1.10	2320	11600	35.500
	220	270	135	100	320	8	239.5	267.0	1.10	1.10	2320	11600	35.500
	240	300	140	100	340	8	265.3	295.0	1.10	1.10	2550	12700	40.000
	240	300	140	100	340	8	262.3	295.0	1.10	1.10	2550	12700	40.000
	260	325	150	110	370	7	288.3	319.0	1.10	1.10	3050	15300	50.000
	260	325	150	110	370	7	288.3	319.0	1.10	1.10	3050	15300	50.000
	280	350	155	120	400	6	313.8	342.0	1.10	1.10	3550	18000	64.000
	280	350	155	120	400	6	313.8	342.0	1.10	1.10	3550	18000	64.000
	300	375	165	120	430	7	336.7	370.0	1.10	1.10	3800	19000	75.000
	300	375	165	120	430	7	336.7	370.0	1.10	1.10	3800	19000	75.000
	320	380	160	135	440	4	344.6	361.0	1.10	3.00	4400	22000	77.000
	340	400	160	135	460	3.80	366.6	382.0	1.10	3.00	4650	23200	82.000
	360	420	160	135	480	3.60	388.3	403.0	1.10	3.00	4800	12000	88.000
	380	450	190	160	520	4.10	407.9	426.0	1.50	4.00	6300	31500	127.00
	400	470	190	160	540	3.90	429.8	447.0	1.50	4.00	6550	32500	132.00
	420	490	190	160	560	3.70	451.6	469.0	1.50	4.00	6800	34500	145.00
	440	520	218	185	600	3.90	472.0	491.0	1.50	4.00	8650	42300	190.00
	460	540	218	185	620	3.70	494.0	513.0	1.50	4.00	9000	45000	200.00
	480	565	230	195	650	3.80	516.0	536.0	2.00	5.00	9800	49000	237.00
	500	585	230	195	670	3.60	537.8	557.0	2.00	5.00	10200	51000	244.00
	530	620	243	205	710	3.70	570.3	591.0	2.00	5.00	11400	57000	290.00
	560	655	258	215	50	4.00	602.0	624.0	2.00	5.00	12700	64000	340.00
	600	700	272	230	800	3.60	644.9	667.0	2.00	5.00	14600	73500	409.00
	630	740	300	260	840	3.30	676.4	698.0	3.00	6.00	17600	88000	526.00
	670	785	308	260	900	3.70	722.0	746.0	3.00	6.00	19000	95000	596.00
	710	830	325	275	950	3.70	763.7	789.0	3.00	6.00	21200	106000	693.00
	750	875	335	280	1000	3.80	808.3	834.0	3.00	6.00	22800	114000	784.00
	800	930	355	300	1060	3.60	859.5	886.0	3.00	6.00	26000	129000	925.00
	850	985	365	310	1120	3.40	914.8	940.0	3.00	6.00	28500	143000	1055.00
	900	1040	375	320	1180	3.20	970.0	995.0	3.00	6.00	31000	156000	1190.00
	950	1100	400	340	1250	3.30	1024.6	1052.4	4.00	7.50	35500	176000	1424.00
	1000	1160	438	370	1320	3.50	1074.1	1105.0	4.00	7.50	40500	204000	1755.00

C - Carga dinâmica  
C<sub>0</sub> - Carga estática



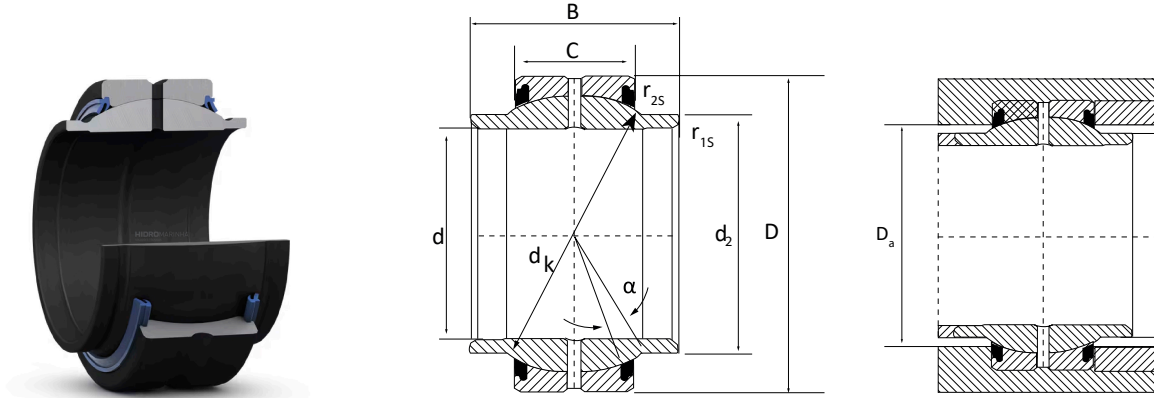
CÓD	Dimensões em mm						Graus $\approx \alpha$	Dim. montagem		Dist. das bordas		Carga		Peso Kg
	d H7	d <sub>2</sub>	d <sub>k</sub>	B	C	D		d <sub>e</sub>	D <sub>e</sub>	r <sub>1smin</sub>	r <sub>2smin</sub>	C	C <sub>0</sub>	
GEG 12 ES	12	15.50	18.00	12	7	22	4	-	18	0.30	0.30	10.80	54	0.0200
	15	18.50	-	15	9	26	5	-	-	-	-	17.00	85	0.0310
	16	20.00	23.00	16	9	28	4	-	23	0.30	0.30	17.60	88	0.0300
	17	21.00	-	17	10	30	7	-	-	-	-	21.00	106	0.0440
GEG 20 ES	20	25.00	29.00	20	12	35	4	-	28	0.30	0.30	30.00	146	0.0700
GEG 25 ES	25	30.00	35.50	25	16	42	4	-	33	0.60	0.60	48.00	240	0.1200
	30	34.00	-	30	18	47	4	-	-	-	-	62.00	310	0.1680
GEG 32 ES	32	38.00	44.00	32	18	52	4	-	42	0.60	1.00	67.00	335	0.200
	35	40.00	-	35	20	55	4	-	-	-	-	80.00	400	0.2530
GEG 40 ES	40	46.00	53.00	40	22	62	4	-	51	0.60	1.00	100.0	500	0.3400
GEG 45 ES	45	52.00	-	45	25	68	4	-	-	-	-	127.0	640	0.4810
GEG 50 ES	50	57.00	66.00	50	28	75	4	-	63	1.00	1.00	156.0	780	0.5600
	60	68.00	-	60	36	90	3	-	-	-	-	245.0	1220	1.1500
	63	71.50	83.00	63	36	95	4	-	78	-	-	255.0	1270	1.2000
	70	79.00	92.00	70	40	105	4	-	87	1.00	1.00	315.0	1560	1.7000
	80	91.00	105.0	80	45	120	4	-	99	1.00	1.00	400.0	2000	2.4000
	90	99.00	115.0	90	50	130	4	-	108	1.00	1.00	490.0	2450	3.2000
	100	113.0	130.0	100	55	150	4	-	123	1.00	1.00	610.0	3050	4.8000
	110	124.0	140.0	110	55	160	4	-	134	1.00	1.00	655.0	3250	5.8000
	125	138.0	160.0	125	70	180	4	-	150	1.00	1.00	950.0	4750	8.5000
	160	177.0	200.0	160	80	230	4	-	191	1.00	1.00	1370	6800	16.500
	200	221.0	250.0	200	100	290	4	-	239	1.10	1.10	2120	10600	32.000
	250	317	350	250	120	400	4	-	342	1.10	1.10	3.55	18.00	99.000
	320	405	450	320	160	520	4	-	438	1.10	1.10	6.10	30.50	240.00

C - Carga dinâmica  
C<sub>0</sub> - Carga estática



CÓD	Dimensões em mm					Graus ≈α	Dim. montagem		Dist. das bordas		Carga		Peso Kg
	d	dk	B	C	D		de	De	r <sub>1smin</sub>	r <sub>2smin</sub>	C	C <sub>0</sub>	
	4	-	7	4	14	20	07.00	-	-	-	03.40	017.0	0.0045
	5	-	9	5	16	21	08.00	-	-	-	05.50	027.0	0.0066
GEH 6 E	6	13	9	5	16	21	09.30	12.50	0.30	0.30	05.50	027.5	0.0040
	8	16	11	6	19	21	11.60	15.50	0.30	0.30	08.15	040.5	0.0140
	10	18	12	7	22	18	13.40	17.50	0.30	0.30	010.8	054.0	0.0200
GEH 12 C	12	22	15	9	26	18	16.00	21.00	0.30	0.30	017.0	085.0	0.0340
GEH 15 ES-2RS	15	25	16	10	30	16	19.20	21.00	0.30	0.30	021.2	106.0	0.0460
GEH 17 ES-2RS	17	29	20	12	35	19	21.00	27.50	0.30	0.30	030.0	146.0	0.0780
GEH 20 ES-2RS	20	35.5	25	16	42	17	25.20	33.00	0.30	0.60	048.0	240.0	0.1500
GEH 25 ES-2RS	25	40.7	28	18	47	17	29.50	38.00	0.60	0.60	062.0	310.0	0.1900
GEH 30 ES-2RS	30	47	32	20	55	17	34.40	44.50	0.60	1.00	080.0	400.0	0.2900
GEH 35 ES-2RS	35	53	35	23	62	16	39.70	51.00	0.60	1.00	100.0	500.0	0.3900
GEH 40 ES-2RS	40	60	40	25	68	17	44.70	57.00	0.60	1.00	127.0	640.0	0.5200
GEH 45 ES-2RS	45	66	43	28	75	15	50.00	63.00	0.60	1.00	156.0	780.0	0.6800
GEH 50 ES-2RS	50	80	56	36	90	17	57.10	75.00	0.60	1.00	245.0	1220.0	1.4000
GEH 60 ES-2RS	60	92	63	40	105	17	67.00	87.00	0.60	1.00	315.0	1560.0	2.0000
GEH 70 ES-2RS	70	105	70	45	120	16	78.20	99.00	1.00	1.00	400.0	2000.0	2.9000
GEH 80 ES-2RS	80	115	75	50	130	14	87.10	108.0	1.00	1.00	490.0	2450.0	3.5000
	90	130	85	55	150	15	98.30	123.0	1.00	1.00	610.0	3050.0	5.4000
GEH 100 ES-2RS	100	140	85	55	160	14	111.2	134.0	1.00	1.00	655.0	3250.0	5.9000
	110	160	100	70	180	12	124.8	150.0	1.00	1.00	950.0	4750.0	9.7000
	120	180	115	70	210	16	138.4	173.0	1.00	1.00	1080.0	5400.0	15.000
GEH 140 ES-2RS	140	200	130	80	230	16	151.9	191.0	1.00	1.00	1370.0	6800.0	18.500
	160	225	135	80	260	16	180.0	219.0	1.00	1.10	1530.0	7650.0	25.000
	180	250	155	100	290	14	196.1	239.0	1.10	1.10	2120.0	10600	35.500
	200	275	165	100	320	15	220.0	267.0	1.10	1.10	2320.0	11600	45.000
	220	300	175	100	340	16	243.6	295.0	1.10	1.10	2550.0	12700	51.000
	240	325	190	110	370	15	263.6	319.0	1.10	1.10	3050.0	15300	64.000
	260	350	205	120	400	15	283.6	342.0	1.10	1.10	3550.0	18000	81.000
	280	375	210	120	430	15	310.6	370.0	1.10	1.10	3800.0	19000	94.000

C - Carga dinâmica  
 C<sub>0</sub> - Carga estática



CÓD	Dimensões em mm						Graus $\approx \alpha$	D i m . monta- gem $D_{a \text{ min}}$	Dist. das bordas		Carga		Peso Kg
	d	d <sub>2</sub>	d <sub>k</sub>	B	C	D			r <sub>1smin</sub>	r <sub>2smin</sub>	C	C <sub>0</sub>	
	17	21	25	21±0,2	10	30	3	24	0.20	0.30	21.20	106	0.040
	20	24	29	24±0,2	12	35	3	27.5	0.20	0.30	30	146	0.057
GEM 25 ES-2RS	25	29	35.5	29±0,3	16	42	3	33	0.20	0.60	48	240	0.10
GEM 30 ES-2RS	30	34.2	40.7	30±0,3	18	47	3	38	0.20	0.60	62	310	0.14
GEM 35 ES-2RS	35	40	47	35±0,3	20	55	3	44.5	0.30	1	80	400	0.24
GEM 40 ES-2RS	40	45	53	38±0,3	22	62	3	51	0.30	1	100	500	0.29
GEM 45 ES-2RS	45	51.5	60	40±0,3	25	68	3	57	0.30	1	127	640	0.43
	50	56.5	66	43±0,3	28	75	3	63	0.30	1	156	780	0.54
GEM 60 ES-2RS	60	67.7	80	54±0,3	36	90	3	75	0.30	1	245	1 220	1.10
GEM 70 ES-2RS	70	78	92	65±0,3	40	105	3	87	0.30	1	315	1 560	1.60
	80	90	105	74±0,3	45	120	3	99	0.30	1	400	2 000	2.40

C - Carga dinâmica  
C<sub>0</sub> - Carga estática